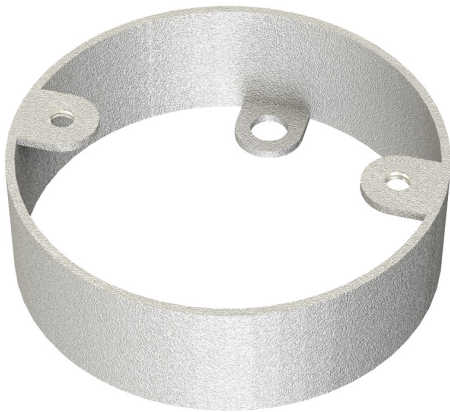


PRODUCT CODE: SR50G
EXTENSION RING



DESCRIPTION

50mm Extension Ring

FINISH

BZP

MATERIAL

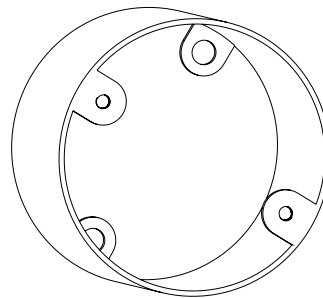
Steel

PACKAGING

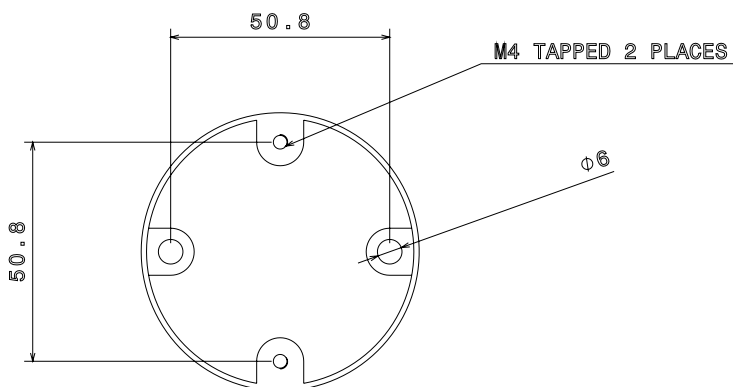
Packed in qty 10

ADDITIONAL NOTES

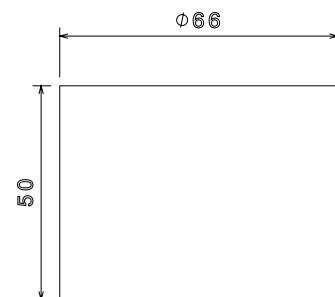
Conforms to BS EN61386-1



Isometric view



Top view



Side view